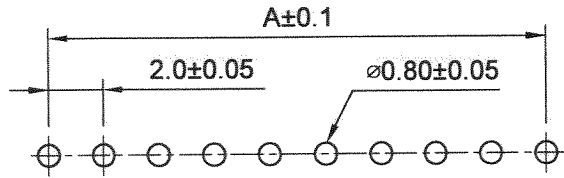
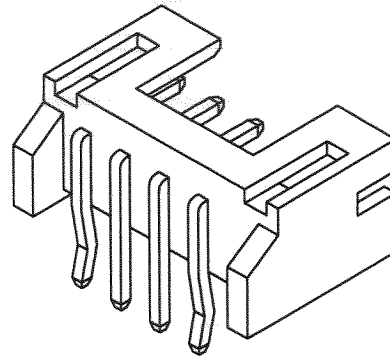




REV.	DESCRIPTION	DATE	APPR.
02	修改塑膠	98/05/19	陳世官

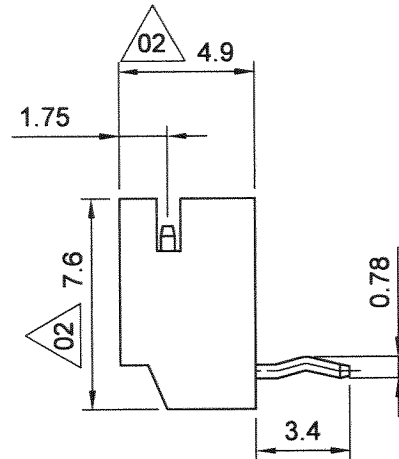
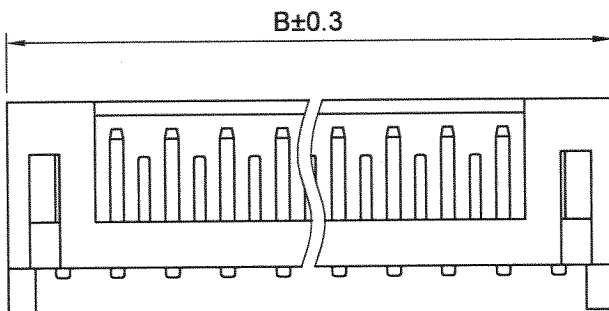
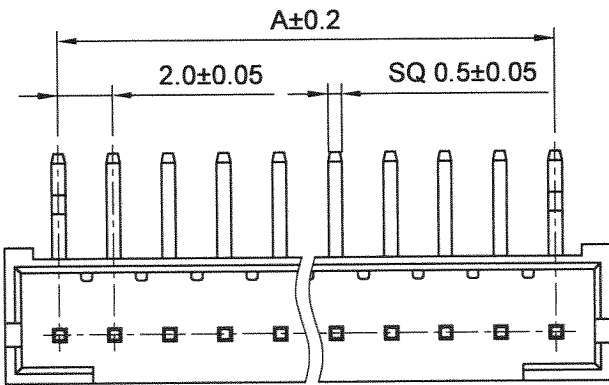


RECOMMENDED PCB LAYOUT



SPECIFICATIONS

CURRENT RATING : 2A AC/DC  
 VOLTAGE RATING : 100V AC/DC  
 CONTACT RESISTANCE : 20 mΩ MAX  
 INSULATION RESISTANCE : 1000 MΩ MIN  
 WITHSTANDING VOLTAGE : 800V AC/MINUTE  
 TEMPERATURE RANGE : -25°C ~ +85°C  
 PIN MATERIAL : BRASS / TIN PLATED  
 MATERIAL : NYLON 66, UL 94V-0  
 POLES : 2-15  
 APPLICATION P.B.C THICKNESS : 0.8~1.6mm



PARTS NO.	DIMENSIONS	
	A	B
200G-WR-02T	2.00	6.00
200G-WR-03T	4.00	8.00
200G-WR-04T	6.00	10.00
200G-WR-05T	8.00	12.00
200G-WR-06T	10.00	14.00
200G-WR-07T	12.00	16.00
200G-WR-08T	14.00	18.00
200G-WR-09T	16.00	20.00
200G-WR-10T	18.00	22.00
200G-WR-11T	20.00	24.00
200G-WR-12T	22.00	26.00
200G-WR-13T	24.00	28.00
200G-WR-14T	26.00	30.00
200G-WR-15T	28.00	32.00

**JAWS** 兆旭股份有限公司  
 JAWS CO., LTD.  
 7F-1, NO.31, Lane 169, Kang Ning Street,  
 Hsichih, Taipei Hsien, Taiwan.  
 TEL: 886-2-2692-2898  
 FAX: 886-2-2692-2618  
 Http://www.jaws.com.tw

THIRD ANGLE PROJECTION		DESIGN UNITS mm □ INCH
SIZE: A4	SCALE: FREE	SHEET: 1/1
CPN NO.:		DWG NO.: JAWS-SOP-200G001
DAN NO.: S9805-028		REV: 02

TITLE: 2.00mm WAFER RIGHT ANGLE  
 PARTS NO.: 200G-WR-xxT

GENERAL TOLERANCES:	
X.X	±0.25
X.XX	±0.15
X.XXX	±0.08
ANGLE	±5°

DRAWN	游熾瑩	DATE	98/05/22
CHECK	<i>Wen</i>	DATE	98.5.22
APPROVE	陳世官	DATE	98.5.22